

# Lo-Carbon dMEV Unit

CONTINUOUS EXTRACT FAN

Installation and Wiring Instructions



## Stock Ref. N°

- 44 29 54A – Timer (T)
- 44 29 55A – Humidistat-Timer (HT)
- 44 30 45A – Humidistat-Timer-Pullcord. (HTP)
- 44 71 27A – Timer-Pullcord (TP)

220-240V~50Hz

**Vent-Axia**®

PLEASE READ INSTRUCTIONS IN CONJUNCTION WITH ILLUSTRATIONS.  
PLEASE SAVE THESE INSTRUCTIONS.

IPX4  
CE

## Installation and Wiring Instructions for the Lo-Carbon dMEV Range of Extractor Fans.



### **IMPORTANT: READ THESE INSTRUCTIONS BEFORE COMMENCING THE INSTALLATION**

DO NOT install this product in areas where the following may be present or occur:

- Excessive oil or a grease laden atmosphere.
- Corrosive or flammable gases, liquids or vapours.
- Ambient temperatures higher than 40°C or less than -5°C.
- Possible obstructions which would hinder the access or removal of the Fan.

### **SAFETY AND GUIDANCE NOTES**

- A. All wiring to be in accordance with the current I.E.E. Regulations, or the appropriate standards of your country and **MUST** be installed by a suitably qualified person.
- B. The Fan should be provided with a local isolator switch capable of disconnecting all poles, having a contact separation of at least 3mm.
- C. Ensure that the mains supply (Voltage, Frequency, and Phase) complies with the rating label.
- D. The Fan should only be used in conjunction with the appropriate Vent-Axia products.
- E. The fan should only be used in conjunction with fixed wiring.
- F. When the Fan is used to remove air from a room containing a fuel-burning appliance, ensure that the air replacement is adequate for both the fan and the fuel-burning appliance.
- G. The Fan should not be used where it is liable to be subject to direct water spray for prolonged periods of time.
- H. Where ducted Fans are used to handle moisture-laden air, a condensation trap should be fitted. Horizontal ducts should be arranged to slope slightly downwards away from the Fan.
- I. This appliance is not intended for use by persons (including children) with reduced physical, sensory or mental capabilities, or lack of experience and knowledge, unless they have been given supervision or instruction concerning use of the appliance by a person responsible for their safety.
- J. Young children should be supervised to ensure that they do not play with the appliance.
- K. The **exterior** grille should be at least 2.3m above the ground to prevent people from being able to access moving parts. If the **external** grille is positioned between 0-2.3m from the ground, Please use the Vent-Axia wall kit as detailed below to ensure people cannot access the fans impeller from the outside.

### **DESCRIPTION**

The dMEV 100mm fan is a continuously running extract fan for kitchens, utility rooms, bathrooms and toilets.

Long life ball bearing DC motor with anti-vibration mounts provides low noise transmission into plasterboard/panels for silent operation.

The fan can be wall or panel/ceiling mounted.

### **ACCESSORIES** (not supplied)

#### **WALL FITTING KIT**

A range of white (stock ref. 254102) or brown (stock ref. 254100) 100mm wall kits are available for installing into most walls using telescopic liners supplied.

#### **WINDOW FITTING KIT**

A window fitting kit is available (stock ref. 442947).

## A. INSTALLATION

**IMPORTANT:** The fan should only be used in conjunction with fixed wiring.

### **PANEL/CEILING MOUNTING**

1. For panel/ceiling mounting the fan should be installed into a closed duct system of at least 1.2m long or protected by an exterior air grille that must comply with the standard requirements of your country to prevent access to the fans impeller.
2. Cut a 105mm diameter hole.
3. Loosen the screw at the bottom of the grille and remove the front grille. Mark the screw centres through the holes in the fan back plate. Drill, plug and screw into position.
4. Attach ducting as required for the installation.
5. Wire the fan as described in Section B-Wiring. Adjust any settings as required (see Section C-Setup).
6. Replace the grille and tighten the retaining screw.
7. After installation, ensure impeller rotates freely.

### **WALL MOUNTING**

1. For wall mounting cut a 117mm diameter hole through the wall and insert the wall sleeve. Slope the sleeve slightly downwards away from the fan. Cut to length and cement both ends into position flush with the wall faces.
2. Loosen the screw in the bottom of the grille and remove the front grille. Mark the screw centres through the holes in the fan back plate. Drill, plug and screw into position.
3. Fix exterior grille into position with the louvres positioned downwards. (Note:- The grille must comply with the standard requirements of your country to prevent access to the fans impeller).
4. Wire the fan as described in Section B-Wiring. Adjust any settings as required (see Section C-Setup).
5. Replace the grille and tighten the retaining screw.
6. After installation, ensure impeller rotates freely.

### **WINDOW MOUNTING**

1. Refer to window kit instructions supplied with the kit.

## B. WIRING.



**WARNING: THE FAN AND ANCILLARY CONTROL EQUIPMENT MUST BE ISOLATED FROM THE POWER SUPPLY DURING THE INSTALLATION / OR MAINTENANCE.**

### **IMPORTANT**

- The fan should only be used in conjunction with fixed wiring.
- The cross - sectional area of supply cord used should be ranged from 1 -1.5mm<sup>2</sup>.
- Cable entry can only be made from the rear of the fan.
- The extraction fan is suitable for connection to 220-240V 50Hz supply.
- The fan is a class II double insulated product and **MUST NOT** be earthed.

1. Select and follow the appropriate wiring diagram. (Fig. 1, 2 or 3)
2. Check all connections have been made correctly and ensure all terminal connections and cable clamps are securely fastened.
3. Ensure the impeller rotates and is free from obstructions.

## C. SETUP



**WARNING: THE FAN AND ANCILLARY CONTROL EQUIPMENT MUST BE ISOLATED FROM THE POWER SUPPLY DURING THE INSTALLATION / OR MAINTENANCE.**

### **ACCESSING THE CONTROL SETTINGS – (Fig. 4 and 5)**

1. Loosen the screw in the bottom of the grille and remove the front grille.
2. Carefully pull the inner cap from the centre of the fan away from the chassis.
3. Adjust the settings as outlined below.

**BEFORE SETTING THE SPEED, SWITCH OFF THE MAINS SUPPLY. SPEED SHOULD ONLY BE SET BEFORE OR DURING INSTALLATION.**

### **TRICKLE SPEED SELECTION (6l/s or 9l/s) – (Fig. 7)**

In normal running mode the fan can extract at either 6l/s (22m<sup>3</sup>/h) or 9l/s (32m<sup>3</sup>/h) flow rate. The fan will boost to 15l/s (54m<sup>3</sup>/h) when the LS connection is switched.

- Factory set at **6l/s** (22m<sup>3</sup>/h).
- Remove jumper connector (JP1) if **9l/s** (32m<sup>3</sup>/h) extract flow rate is required.

### **BOOST SPEED SELECTION (Fig. 8):**

The fan has two boost speed settings for different installation requirements:

- 1) Max speed: Dip switch 2 in the 'OFF' position.
- 2) 15l/s speed: Dip switch 2 should be in the 'ON' position. (Factory set)



Dip switch 1 should be in the 'ON' position for constant trickle mode.

### **TIMER ADJUSTMENT (T, TP & HT/HTP MODELS) (FIG. 7)**

**BEFORE ADJUSTING THE TIMER, SWITCH OFF THE MAINS SUPPLY. TIMER SHOULD ONLY BE ADJUSTED BEFORE OR DURING INSTALLATION**

**IMPORTANT NOTE:- ON THE TP & HTP MODEL ONLY THIS ADJUSTS THE OVERRUN TIME FOR THE PULLCORD OPERATION. ON T & HT MODELS THE TIMER IS ACTIVATED VIA THE LS CONNECTION.**

1. Remove the fan grille. The overrun timer is factory set to approximately 15 minutes. This timer period can be adjusted between approximately 3-30 minutes by altering the adjuster on the control PCB.
2. To **REDUCE** the operating time, use a small screwdriver to turn the adjuster Fig.7. **CLOCKWISE**.
3. To **INCREASE** the operating time, use a small screwdriver to turn the adjuster Fig.7. **ANTI-CLOCKWISE**.
4. Replace the fan grille.

## HUMIDITY SET-POINT ADJUSTMENT (HT/HTP MODELS) (FIG. 7)

*BEFORE ADJUSTING THE CONTROLLER, SWITCH OFF THE MAINS SUPPLY. HUMIDISTAT SHOULD ONLY BE ADJUSTED BEFORE OR DURING INSTALLATION.*

1. Remove the fan grille. The controller is factory set to switch on at about 70% RH. The humidity set point can be adjusted from 65-95%RH by altering the adjuster on the control PCB.
2. To LOWER the set-point use a small screwdriver to turn the adjuster Fig.7. ANTI-CLOCKWISE. This makes the controller MORE sensitive.
3. To RAISE the set-point use a small screwdriver to turn the adjuster Fig.7. CLOCKWISE. This makes the controller LESS sensitive.
4. Replace the fan grille.

**PULLCORD (TP & HTP MODEL ONLY)** – The pullcord activates the inbuilt timer overrun (adjustment settings above). Once activated, the fan will remain on boost for the preset overrun time. If the pullcord is pulled again during the overrun time period, the timer will reset the countdown timer back to the preset value. There is no way of switching the fan back to trickle manually.

### D. SERVICING AND MAINTENANCE.



**WARNING: THE FAN AND ANCILLARY CONTROL EQUIPMENT MUST BE ISOLATED FROM THE POWER SUPPLY DURING MAINTENANCE.**

1. At intervals appropriate to the installation, the fan should be inspected and cleaned to ensure there is no build up of dirt or other deposits.  
Ensure that the fan is switched off from the supply mains before removing the grille.
2. Carefully push the front panel of the grille upwards away from the base part of the grille (fig. 6).
3. Wipe the inlets and front face with a damp cloth until clean.

**The fan has sealed for life bearings, which do not require lubrication.**

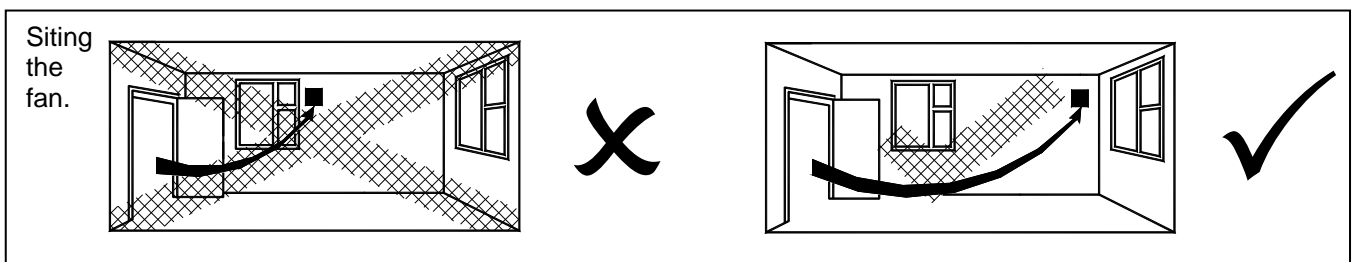


Fig.1 Continuous trickle (6l/s or 9l/s) with no boost facility (T, TP, HT & HTP – But TP & HTP can be boosted via pullcord)

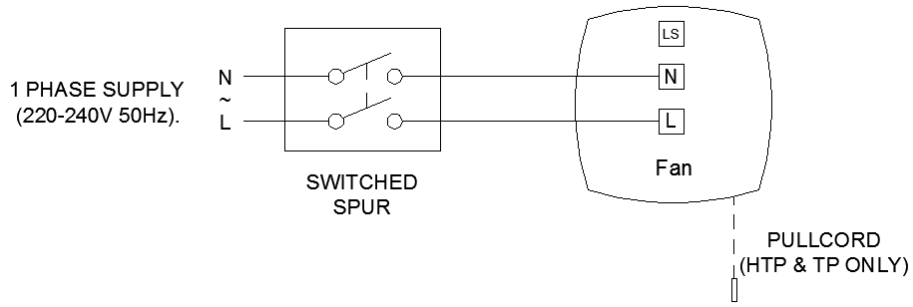


Fig.2 Continuous boost (15l/s or Max) with no trickle facility (T & HT ONLY – NOT HTP)

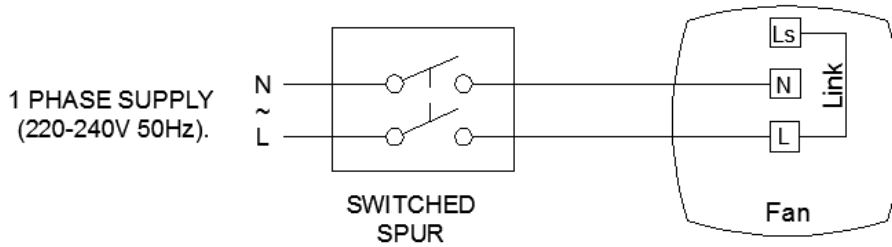


Fig.3 Continuous trickle with boost facility (T & HT ONLY)

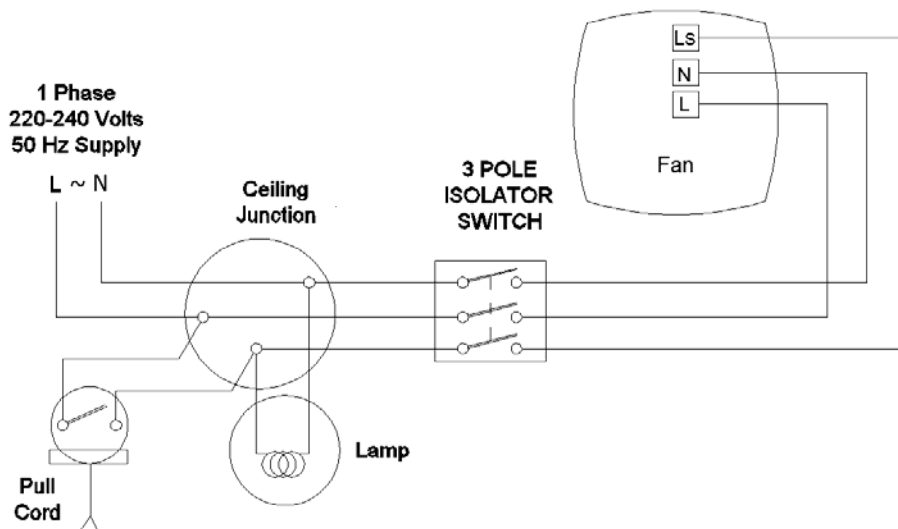
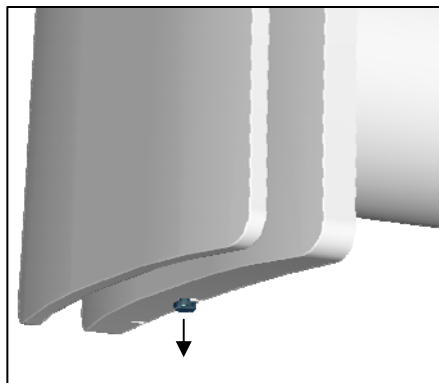
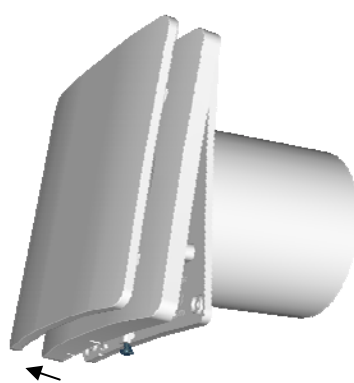


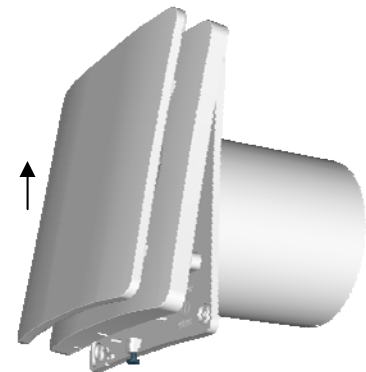
Fig.4. Removing the grille for wiring and setting the controls



1. Loosen screw.



2. Pull grille slightly away from bottom edge.



3. Push grille upwards until clear from the fan chassis.

Fig.5. Accessing the control settings

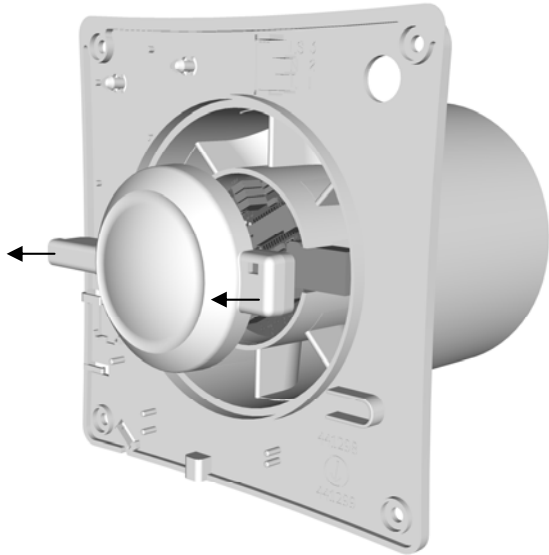


Fig.6. Removing the front grille panel for cleaning.

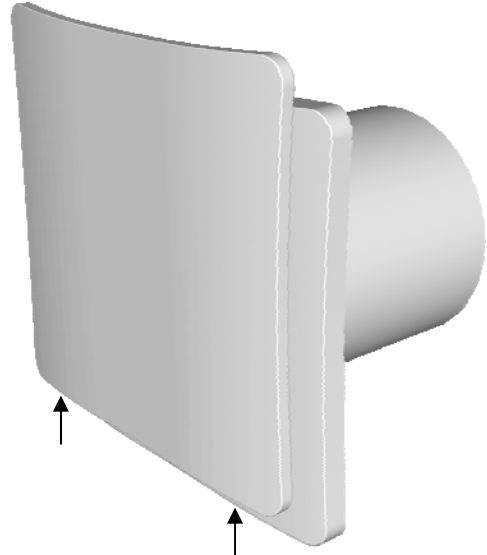
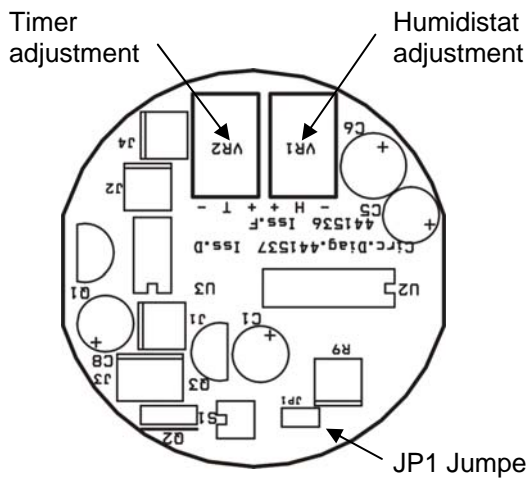


Fig.7. Trickle speed selection and T/TP/HT/HTP adjuster pots

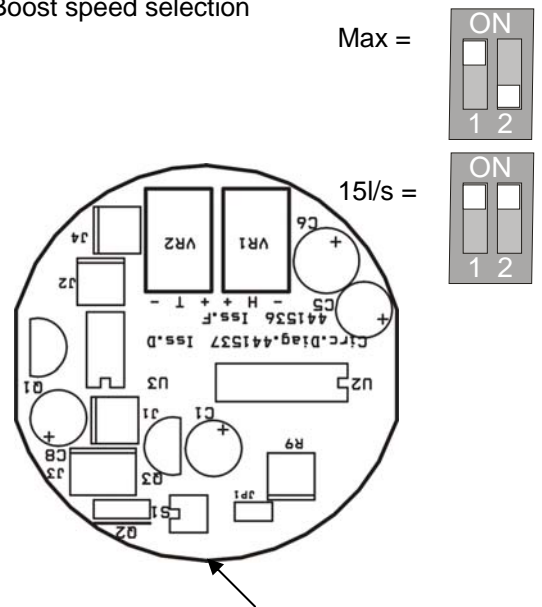


**9l/s** = Remove Jumper Connector  
**6l/s** = Replace Jumper Connector (factory set)

(For **15l/s**, permanently link terminal connections L to LS)

Flow rate conversion:  
 $6l/s = 22m^3/h$

Fig.8. Boost speed selection



**Max speed boost:** Dip switch 2 in the 'OFF' position.

**15l/s speed boost:** Dip switch 2 should be in the 'ON' position.

Dip switch 1 should be in the 'ON' position for constant trickle mode.

## The **Vent-Axia** Guarantee

Applicable only to products installed and used in the United Kingdom. For details of guarantee outside the United Kingdom contact your local supplier.

Vent-Axia guarantees its products for two years from date of purchase against faulty material or workmanship. In the event of any part being found to be defective, the product will be repaired, or at the Company's option replaced, without charge, provided that the product:-

- Has been installed and used in accordance with the instructions given with each unit.
- Has not been connected to an unsuitable electricity supply. (The correct electricity supply voltage is shown on the product rating label attached to the unit).
- Has not been subjected to misuse, neglect or damage.
- Has not been modified or repaired by any person not authorised by the company.

### IF CLAIMING UNDER TERMS OF GUARANTEE

Please return the complete product, carriage paid to your original supplier or nearest Vent-Axia Centre, by post or personal visit. Please ensure that it is adequately packed and accompanied by a letter clearly marked "Guarantee Claim" stating the nature of the fault and providing evidence of date and source of purchase.

The guarantee is offered to you as an extra benefit, and does not effect your legal rights

# **Vent-Axia**

Head Office: Fleming Way, Crawley, West Sussex, RH10 9YX.

**UK NATIONAL CALL CENTRE**, Newton Road, Crawley, West Sussex, RH10 9JA

SALES ENQUIRIES: Tel: 0844 8560590 Fax: 01293 565169

TECHNICAL SUPPORT: Tel: 0844 8560594 Fax: 01293 539209

Web:-[www.vent-axia.com](http://www.vent-axia.com) Email:- [info@vent-axia.com](mailto:info@vent-axia.com)

As part of the policy of continuous product improvement Vent-Axia reserves the right to alter specifications without notice.

449429B

0214