

# Slimpak (SLP)

## Features & Benefits

- Ultra slim and compact
- Acoustically treated 'O' class rated
- 'Eco Flow' computer modelled design
- Latest external rotor motor
- Fully speed controllable
- Matching ancillaries



The Slimpak in-line acoustic fans shall be as supplied from Roof Units. Manufactured from prime quality galvanised sheet steel, ensuring a robust in-line fan for those tough site conditions. Slimpak shall be internally treated with an 'O' class rated acoustic foam, which offers the benefits of excellent low level duct bound and breakout sound levels, in addition self extinguishing properties, zero burn role, resistant to ignition, and no toxic fumes.

Slimpak fans are to be suitable for circular ducting ranging in sizes 100, 125, 150, 200, 250 and 315mm with air volumes from 0.075m<sup>3</sup>/s to 0.380m<sup>3</sup>/s and pressure development of up to 550Pa.

The casing shall be specially designed to allow the unit to be mounted quickly and easily. All manufacturing progressed of the Slimpak fan units are computer designed and controlled to BS EN ISO 9001 Standards.

### Impellers

The backward curved centrifugal impellers shall be aerodynamically designed, utilising computer technology combining the impeller with the external rotor motor. The motor and impeller shall be factory matched, statically and dynamically balanced on precision machines, to DIN ISO1940 Grade 6.3, to give quiet, vibration free running. The aerodynamic blades and motor housing shall be manufactured from prime quality galvanised sheet steel.

### Motors

All sizes from 100 to 315 shall be protected to IP44 in accordance with BS EN 60529:1992. With motor insulation Class B, suitable for operating temperatures from -15°C and atmospheres up to 95% RH. The range shall incorporate maintenance free external rotor motors, fitted with sealed for life ball bearings.

All sizes are ideally suitable for speed control by electronic or voltage reduction. Vent-Axia would recommend that a voltage reduction Auto Transformer speed controller is used with all Slimpak units to ensure

minimum noise levels during speed control and to eliminate any possibility of harmonic noise levels which occur when using electronic speed controllers at lower levels.

### Terminal Box

An IP54 terminal box shall be supplied with all models with 20mm cable gland entry.

### Performance

The fan performance, shall be in accordance with tests to BS848 Part 1 1980, with the fan sound levels, measured in a reverberant chamber in accordance with BS848 Part 2 1985.

### Quality Assurance

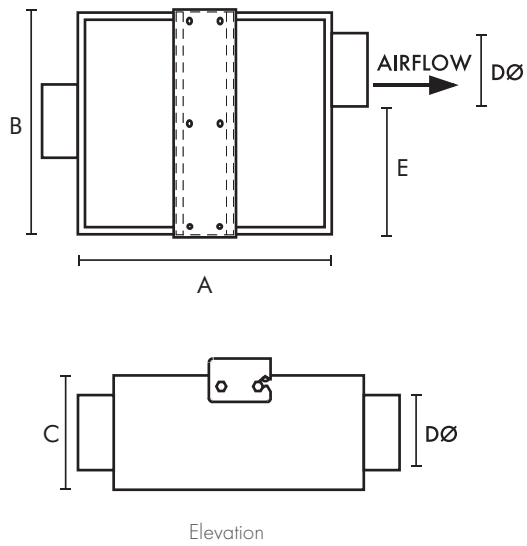
Design and manufacture shall be in accordance with the standard for quality management systems BS EN ISO 9001:1994.

### Accessories

A full range of accessories are available with the Slimpak range of fans such as:

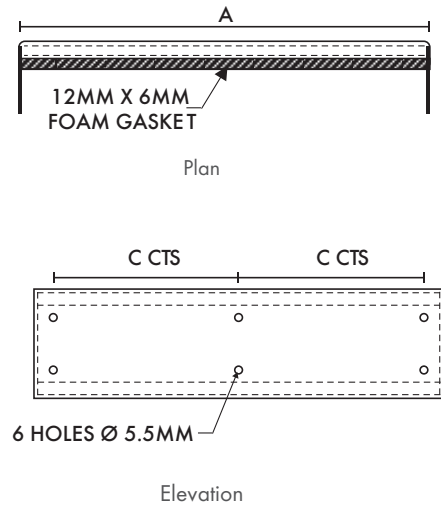
- Auto Transformer Speed Controllers
- Electronic Speed Controllers
- D.O.L. Starters
- Pre & Secondary Filter Cassettes
- Electric Heater Batteries
- Backdraught Shutters
- In-Line Attenuators
- Wall & Roof Terminals
- Fast Clamps

### Dimensions (mm)



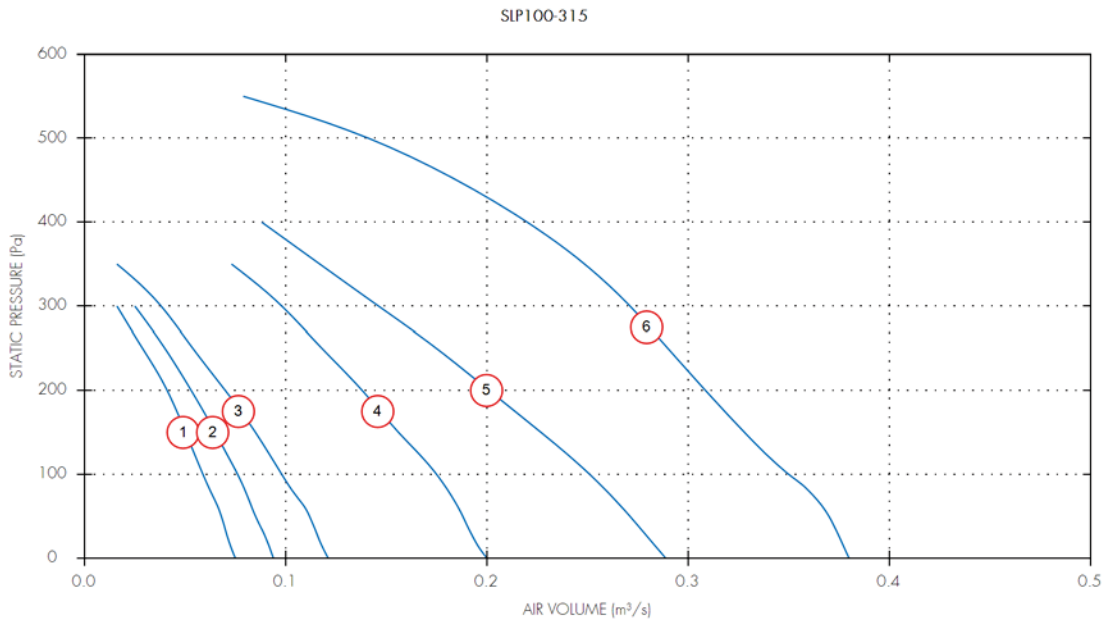
Fan Stock Ref	A	B	C	DØ	E	Weight kg
SLP100	360	306	160	100	178	8
SLP125	360	306	160	125	165	8
SLP150	360	306	180	150	140	9
SLP200	415	360	285	200	140	13
SLP250	415	360	285	250	90	15
SLP315	450	400	350	315	65	17

### Mounting bracket (mm)



Fan Stock Ref	A	B	C
SLP100	306	80	138
SLP125	306	80	138
SLP150	306	80	138
SLP200	360	130	165
SLP250	360	130	165
SLP315	400	180	184.5

Performance Curves



Performance Guide

Dia.	Motor Phase	Stock Ref	r.p.m	IP Rating	Curve Ref.	m³/s @ Pa					Motor kW	S.C. Amps	F.L.C Amps	dBA @ 3m	
						0	100	200	300	400					500
100	1	SLP100	2450	IP44	1	0.08	0.06	0.04	0.02		0.06	1.04	0.26	30	
125	1	SLP125	2450	IP44	2	0.09	0.08	0.05	0.02		0.06	1.04	0.26	31	
150	1	SLP150	2450	IP44	3	0.12	0.1	0.07	0.04		0.06	1.04	0.26	41	
200	1	SLP200	2700	IP44	4	0.2	0.17	0.14	0.1		0.12	1.92	0.48	39	
250	1	SLP250	2400	IP44	5	0.29	0.25	0.2	0.15	0.09	0.21	3.6	0.9	43	
315	1	SLP315	2550	IP44	6	0.38	0.35	0.31	0.27	0.22	0.14	0.27	4.6	1.15	45

Sound Power Level Spectra dB (ref 10<sup>-12</sup> Watts)

Dia.	Motor Phase	Stock Ref	Spectrum	dB								dBA @ 3m
				63	125	250	500	1k	2k	4k	8k	
100	1	SLP100	Inlet	60	63	56	62	51	48	43	40	40
100	1	SLP100	Outlet	61	65	57	58	56	54	50	43	41
100	1	SLP100	Breakout	51	52	53	51	42	38	34	30	30
125	1	SLP125	Inlet	55	59	58	64	53	49	42	39	42
125	1	SLP125	Outlet	59	61	59	61	59	58	54	45	44
125	1	SLP125	Breakout	52	54	54	52	43	38	34	30	31
150	1	SLP150	Inlet	52	58	57	64	55	52	47	42	42
150	1	SLP150	Outlet	58	60	60	63	60	59	55	47	45
150	1	SLP150	Breakout	52	53	53	52	43	38	34	30	31
200	1	SLP200	Inlet	65	68	72	64	56	51	52	47	46
200	1	SLP200	Outlet	60	66	68	71	66	65	65	58	52
200	1	SLP200	Breakout	58	65	65	59	48	43	38	35	39
250	1	SLP250	Inlet	74	76	75	68	58	57	55	48	50
250	1	SLP250	Outlet	62	72	74	73	72	69	68	59	56
250	1	SLP250	Breakout	61	70	68	63	54	47	43	32	43
315	1	SLP315	Inlet	71	75	74	70	70	66	63	58	54
315	1	SLP315	Outlet	62	70	76	78	72	71	70	63	59
315	1	SLP315	Breakout	61	69	70	64	58	52	46	37	45

## Models & Accessories

Fan Stock Ref	Speed Controller					Electric Heaters Stock Ref
	Electronic	Auto Transfor.	Starter	Overload		
	Stock Ref	Stock Ref	Stock Ref	Stock Ref	Stock Ref	
SLP100	SP5001	SPM5020	444744	444699	10531100T1	
SLP125	SP5001	SPM5020	444744	444699	10531125T1	
SLP150	SP5001	SPM5020	444744	444699	10531150T1	
SLP200	SP5001	SPM5020	444744	444699	10531200T1	
SLP250	SP5001	SPM5020	444744	444700	10531250T1	
SLP315	SP5001	SPM5020	444744	444702	10531315T1	

Fan Stock Ref	Attenuators			Wall Terminal Stock Ref
	Inlet	Discharge		
	Stock Ref	Stock Ref	Stock Ref	
SLP100	SLSI100/1	SLSD100/1	SA100/280	
SLP125	SLSI125/1	SLSD125/1	SA125/280	
SLP150	SLSI150/1	SLSD150/1	SA150/280	
SLP200	SLSI200/1	SLSD200/1	SA200/280	
SLP250	SLSI250/1	SLSD250/1	SA250/280	
SLP315	SLSI315/1	SLSD315/1	SA315/280	

Fan Stock Ref	Roof Terminal Stock Ref	Louvre	Flexible	Panel Filters Stock Ref	Back Draught
		Shutter	Connections		Shutters
		Stock Ref	Stock Ref		Stock Ref
SLP100	WRC100	LS250	FLX100	SLPF100	BDS100
SLP125	WB160C	LS250	FLX125	SLPF125	BDS125
SLP150	WB160C	LS315	FLX150	SLPF150	BDS150
SLP200	WB200C	LS315	FLX200	SLPF200	BDS200
SLP250	WB200C	LS315	FLX250	SLPF250	BDS250
SLP315	RCZ300	LS400	FLX315	SLPF315	BDS315