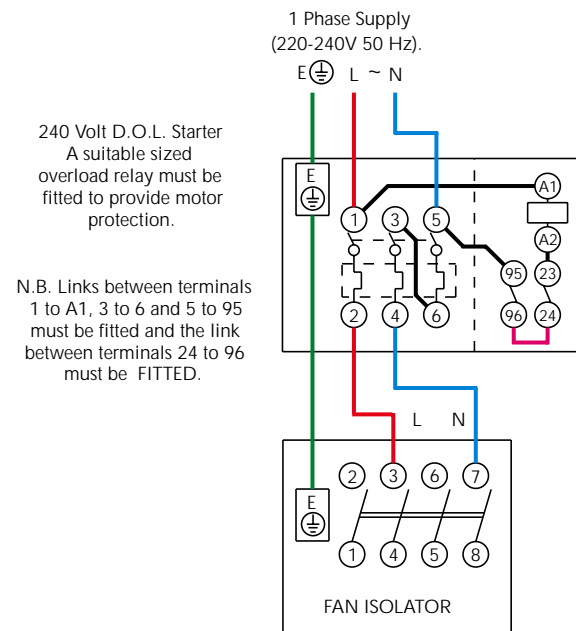


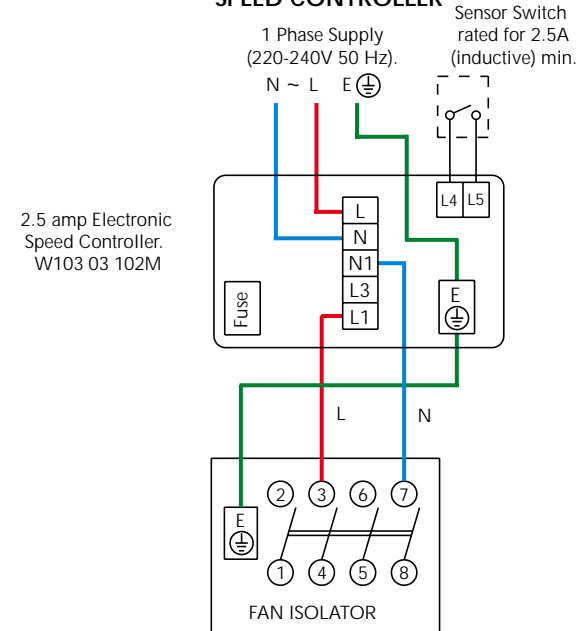
VENT-AXIA MIXED FLOW ROOF FANS WIRING DIAGRAMS

SINGLE PHASE FAN CONNECTED TO A D.O.L. STARTER



- | | |
|------------|------------|
| RMH 355-14 | RMH 355-16 |
| RMH 400-14 | RMH 400-16 |
| RMH 450-14 | RMH 450-16 |
| RMH 500-14 | RMH 500-16 |
| | RMH 560-16 |

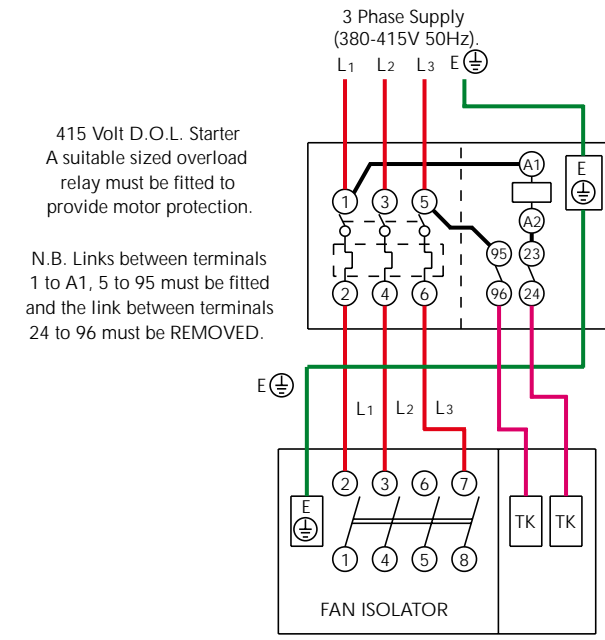
SINGLE PHASE FAN CONNECTED TO A 2.5 AMP ELECTRONIC SPEED CONTROLLER



- | | |
|------------|------------|
| RMH 355-14 | RMH 355-16 |
| | RMH 400-16 |
| | RMH 500-16 |

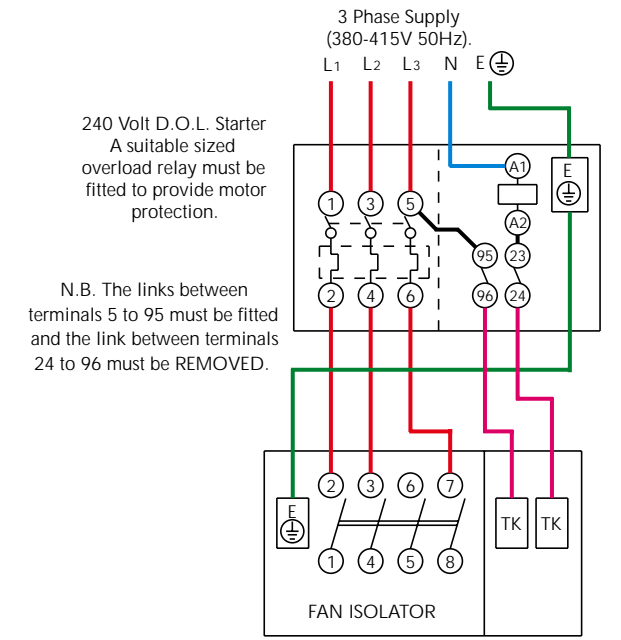
MIXED FLOW ROOF FANS WIRING DIAGRAMS

THREE PHASE FAN CONNECTED TO A 415V COIL D.O.L. STARTER



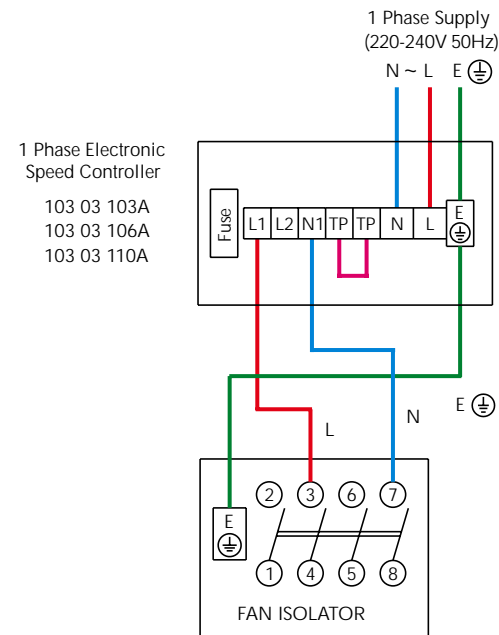
- | | |
|-------------|-------------|
| RMH 355-34 | RMH 355-36 |
| RMH 400-34A | RMH 400-36A |
| RMH 450-34A | RMH 450-36A |
| RMH 500-34A | RMH 500-36A |
| RMH 560-34 | RMH 560-36 |

THREE PHASE FAN CONNECTED TO A 240V COIL D.O.L. STARTER



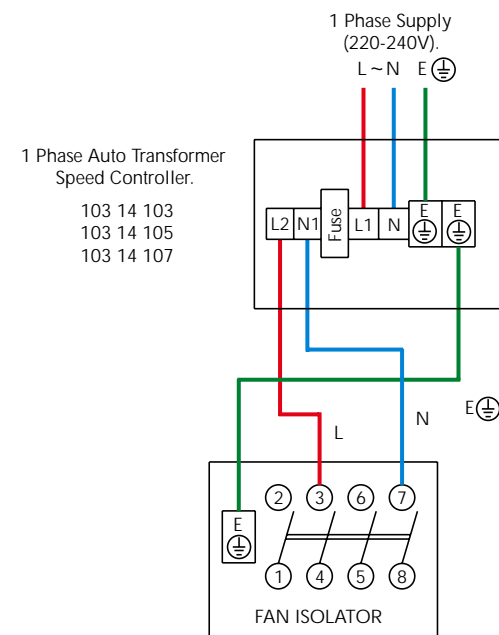
- | | |
|-------------|-------------|
| RMH 355-34 | RMH 355-36 |
| RMH 400-34A | RMH 400-36A |
| RMH 450-34A | RMH 450-36A |
| RMH 500-34A | RMH 500-36A |
| RMH 560-34 | RMH 560-36 |

SINGLE PHASE FAN CONNECTED TO A 3.0, 6.0 OR 10.0 AMP ELECTRONIC SPEED CONTROLLER



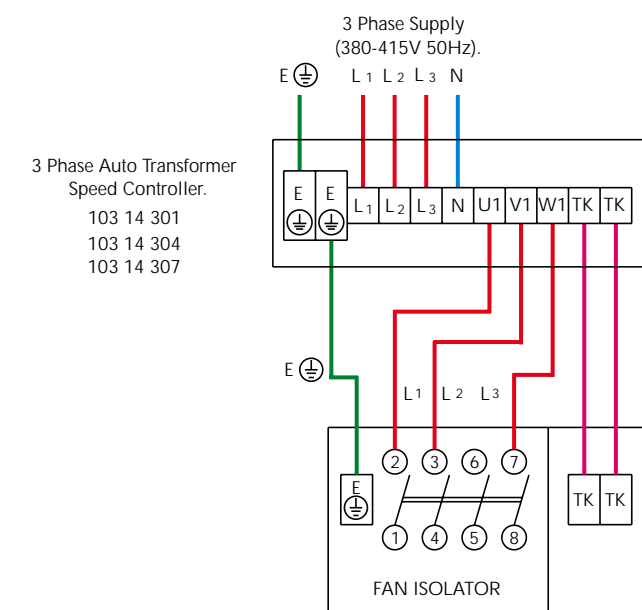
- | | |
|------------|------------|
| RMH 355-14 | RMH 355-16 |
| RMH 400-14 | RMH 400-16 |
| RMH 450-14 | RMH 450-16 |
| RMH 500-14 | RMH 500-16 |
| | RMH 560-16 |

SINGLE PHASE FAN CONNECTED TO A 3.0, 5.0 OR 7.5 AMP AUTO TRANSFORMER SPEED CONTROLLER



- | | |
|------------|------------|
| RMH 355-14 | RMH 355-16 |
| RMH 400-14 | RMH 400-16 |
| RMH 450-14 | RMH 450-16 |
| RMH 500-14 | RMH 500-16 |
| | RMH 560-16 |

THREE PHASE FAN CONNECTED TO A 1.4, 4.0 OR 7.0 AMP AUTO TRANSFORMER SPEED CONTROLLER



- | | |
|-------------|-------------|
| RMH 355-34 | RMH 355-36 |
| RMH 400-34A | RMH 400-36A |
| RMH 450-34A | RMH 450-36A |
| RMH 500-34A | RMH 500-36A |
| RMH 560-34 | RMH 560-36 |