

LED LuminAir Turbo Fan & Light Ventilation Kit

- Unique fan and light combination
- IPX7 rated inlet assembly
- Suitable for shower enclosures and wet areas - can be used within reach of a person using a bath or shower
- Safety extra low voltage (SELV) lamp
- Easy installation
- White and Chrome bezels available
- LED Driver



High Performance Fan & Light Combination

LuminAir is also available in the form of a ventilation kit. The IPX7 unit is installed directly over a shower in complete safety.

Vent-Axia LuminAir extracts moisture and humidity at source, preventing damaging condensation from spreading. At the same time it bathes the shower enclosure in a rich soft light - bringing any dark shower to life. Ideal for all types of bathroom and shower applications, and is particularly suitable for bedsit and en-suite shower installations. LuminAir has a LED MR16 3W DC 12V Lamp, to give a pool of soft warm light. The lamp has a long life and is simple to change. Comes with a LED Driver, Input: AC100-240V, 50/60Hz, Output: DC12V 500mA, LED Power - 3-5W

Models

For applications where a more powerful system is required, the kit comprises a luminair turbo L or T mains fan and SELV light, choice of bezel, 90° bend, 6 metres of flexible duct, quick fix wall grille and four cable ties. Meets Building Regulations approved Document F performance assuming ductwork provided is fully extended and one 90° bend.

LuminAir Turbo SKL (Switch Live)

Provides simultaneous On and Off operation of the fan and light switch from the bathroom light switch.

Model	Stock Ref
SKL White	453419

LuminAir Turbo SKT (Timer)

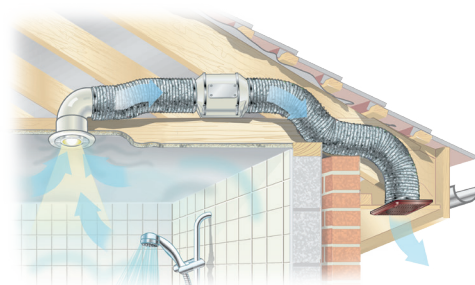
Switches the fan On with the light switch. When the light is switched Off, the fan continues to run for an adjustable fixed period to meet the Building Regulations for internal bathrooms.

Model	Stock Ref
SKT White	453422

Accessories

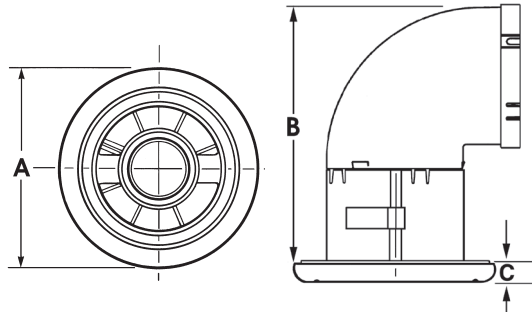
Model	Stock Ref
Optional Bezel Chrome	452044

Installation Example

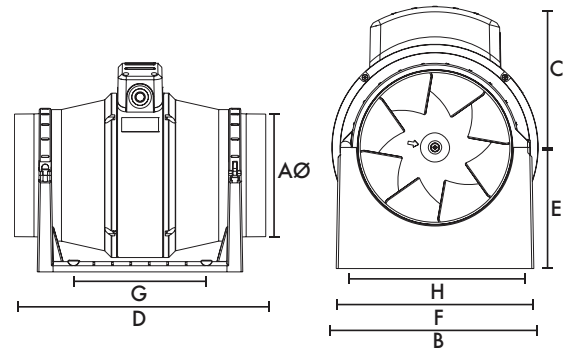


Dimensions (mm)

Vent Light and Bend



Turbo Fan



Model	AØ	B	C	D	E	F	G	H
Vent Light	150	180	10					
Turbo Fan	97	178	124	298	96	168	120	153.5

Ceiling Fixing hole diameter 110mm

Performance

Model	Extract Performance - FID		Watts		Sound dB(A)	Amps
	m ³ /h	l/s	Fan	Lamp	@ 3m	@ 240V
SKL/SKT	160	52	8	3	23	0.3