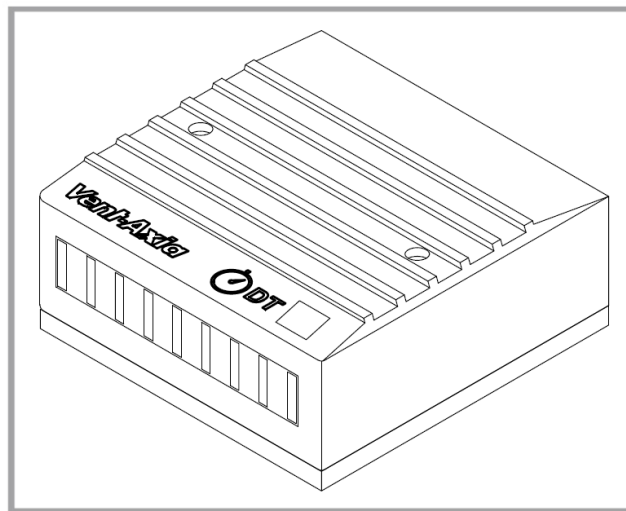


Timespan DT

Mains 240v

Installation and Wiring Instructions



Stock Ref. No.
457986

Vent-Axia[®]

PLEASE READ INSTRUCTIONS IN CONJUNCTION WITH ILLUSTRATIONS.
PLEASE SAVE THESE INSTRUCTIONS.

UK
CA CE

INSTALLATION AND WIRING INSTRUCTIONS FOR VENT-AXIA TIMESPAN™ DT

IMPORTANT – READ THESE INSTRUCTIONS FULLY BEFORE COMMENCING THE INSTALLATION

DO NOT install this product in areas where the following may be present or occur:

- Excessive oil or grease-laden atmosphere.
- Corrosive or flammable gases, liquids or vapours.
- Ambient temperatures higher than 40°C or less than -5°C.
- Relative humidity above 95%.

SAFETY GUIDANCE NOTES

- A. All wiring must be in accordance with current I.E.E. regulations, or the appropriate standards of your country. The equipment should be provided with a local 3-pole isolator switch having a contact separation of at least 3mm.
- B. Ensure that the mains supply (Voltage, Frequency and Phase) complies with the rating label.
- C. The Timespan DT Controller should only be used in conjunction with the appropriate Vent-Axia products.
- D. It is recommended that the connection to the terminal box is made in flexible cable or conduit for easy maintenance.
- E. The Timespan DT Controller should not be sited within 600mm of/or 2250mm above a bath/shower tray, in accordance with the current I.E.E. regulations for bathrooms.
- F. Manufacturers of some fluorescent and low energy lighting systems indicate that these can interfere with other electronic timing circuits. For reliable operation, we recommend that tungsten filament lighting is used.

INSTALLATION

MOUNTING

Securely mount the controller using the appropriate fixing screws.

WIRING

WARNING:

- THE FAN AND ANCILLARY CONTROL EQUIPMENT MUST BE ISOLATED FROM THE POWER SUPPLY DURING INSTALLATION AND/OR MAINTENANCE.
 - THE LIFESPAN DT MUST BE CONNECTED TO A 220-240V 50HZ AC SINGLE PHASE MAINS SUPPLY AND THE LS SIGNAL MUST BE ON THE SAME PHASE AS THE TIMESPAN DT MAINS SUPPLY.
 - THE TIMESPAN DT MUST NOT BE EARTHED. IT IS CLASS II DOUBLE INSULATED.
 - IF THE TIMESPAN DT IS MOUNTED ON A METAL OUTLET BOX, THE METAL OUTLET BOX SHOULD BE EARTHED. IF THE FAN REQUIRES AN EARTH CONNECTION THEN EARTH CONTINUITY MUST BE USED
1. Refer to Fig. 1. For typical installation example
 2. The cable entry must be by a suitable grommet or cable gland.
 3. Check that all connections have been made correctly. Ensure that all terminal screws and cable clamps are securely fastened.
 4. Switch the mains supply on and check the operation.

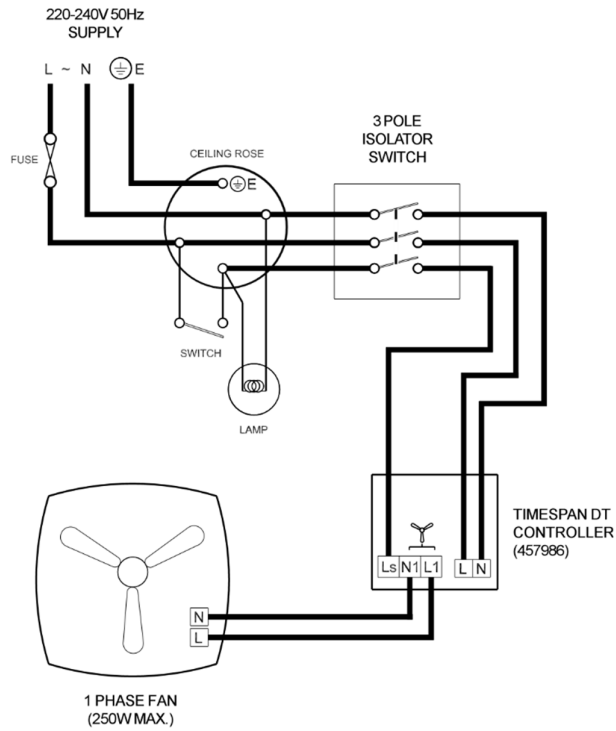
OPERATION

The Timespan DT has a variable over-run timer which can be set between 5-20 minutes, with an additional feature of a fixed 2 minute start delay timer.

NOTE: If the power supply is re-applied to the Ls terminal for 2 minutes during the over-run period, the timer is reset to the preset over-run time period.

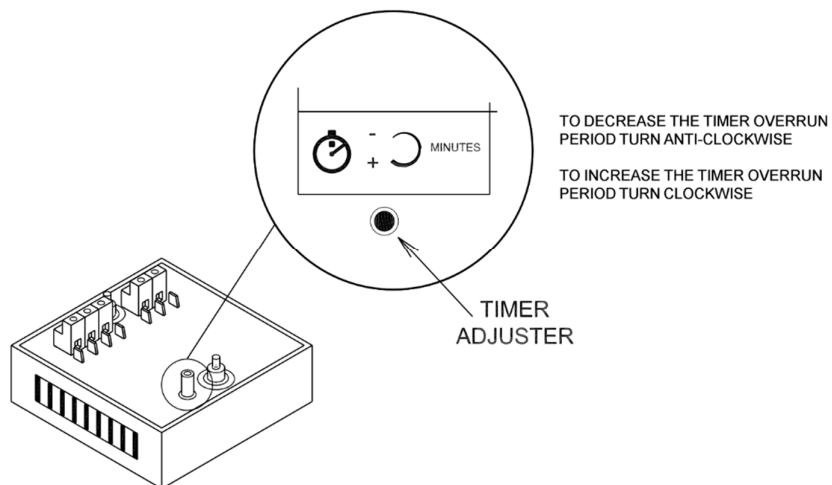
Fig. 1.

TIMESPAN DT STANDARD WIRING DETAILS



TIMESPAN DT TIMER ADJUSTMENT

BEFORE ADJUSTING THE CONTROLLER, ISOLATE FROM THE MAINS SUPPLY



The **Vent-Axia** Guarantee

Applicable only to products installed and used in the United Kingdom. For details of guarantee outside the United Kingdom contact your local supplier.

Vent-Axia guarantees its products for two years from date of purchase against faulty material or workmanship. In the event of any part being found to be defective, the product will be repaired, or at the Company's option replaced, without charge, provided that the product:

- Has been installed and used in accordance with the instructions given with each unit.
- Has not been connected to an unsuitable electricity supply. (The correct electricity supply voltage is shown on the product rating label attached to the unit).
- Has not been subjected to misuse, neglect or damage.
- Has not been modified or repaired by any person not authorised by the company.

IF CLAIMING UNDER TERMS OF GUARANTEE

Please return the complete product, carriage paid to your original supplier or nearest Vent-Axia Centre, by post or personal visit. Please ensure that it is adequately packed and accompanied by a letter clearly marked 'Guarantee Claim' stating the nature of the fault and providing evidence of date and source of purchase.

The guarantee is offered to you as an extra benefit, and does not affect your legal rights

Vent-Axia

Head Office: Fleming Way, Crawley, West Sussex, RH10 9YX.

EU Authorised Representative: Vent-Axia Bedrijvenweg 17 7442 CX Nijverdal Nederland
authorisedrep@vent-axia.nl

UK NATIONAL CALL CENTRE, Newton Road, Crawley, West Sussex, RH10 9JA

SALES ENQUIRIES: Tel: 0344 8560590 Fax: 01293 565169

TECHNICAL SUPPORT: Tel: 0344 8560593 Fax: 01293 539209

For details of the warranty and returns procedure please refer to www.vent-axia.com or write to Vent-Axia, Fleming Way, Crawley, RH10 9YX