

C02+Temp Room Sensor

Fitting & Wiring Instructions



Stock Ref.

433257

C02+Temp Room
Sensor

24 V A.C or 15 to 30V D.C

Vent-Axia[®]

PLEASE RETAIN THESE INSTRUCTIONS WITH THE PRODUCT.

UK
CA CE

VENT-AXIA C02+Temp Room sensor FITTING AND WIRING INSTRUCTIONS

PLEASE READ ALL INSTRUCTIONS CAREFULLY BEFORE INSTALLATION

OPERATION

The Sensor combines C02 and temperature measurement in a single room wall mounted controller. The C02 measurement is based on the infrared principle. It combines an auto-calibration feature that compensates for the aging of the infrared source and ensures outstanding long term stability and reliability.

The sensor has been designed to measure C02 levels up to 2000ppm and a temperature range of 0-50 °C

SITING

The C02+Temp Room sensor must not be installed in a shower cubicle or enclosure. It must be sited away from direct sources of water spray and out of reach of a person using a fixed bath or shower. The sensor should be positioned in a location to measure unrestricted air flow in the space and it must not be influenced by direct sources of heat. Do not site above a radiator or other heat source. Do not site in an area containing excessive levels of grease. Do not place in direct sunlight as this may affect the sensor. The sensor must be mounted with the element pointing upwards.

FITTING

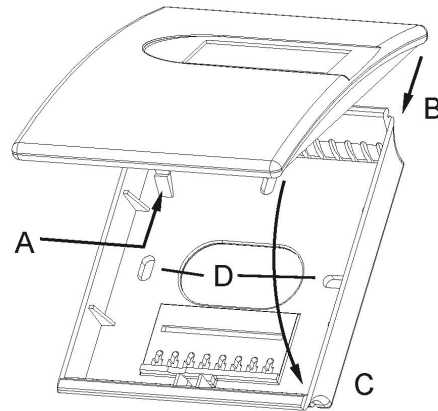
Opening the housing, Press pin **A** until the cover can be opened.

Mount the back plate to the wall using the fixing holes **D** (see below for mounting hole positions)

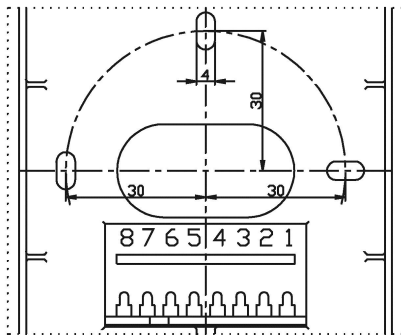
Mount the back plate in a suitable location with the terminal block at the bottom.

Pull the wiring through the cable entry hole in the back plate
Refer to the wiring section for connection details.

Closing the housing, position the cover so that it lines up with the top edge of the housing **B** and move it in the direction **C** until pin **A** snaps the two parts together.



dimensions: 85x100x26mm (WxHxD)



WIRING

WARNING: For your safety please ensure that the mains supply is isolated before making electrical connections. The Sensor **MUST** be connected to either a 24V A.C supply or 15 to 30V D.C supply.

All electrical connections should be made by a properly qualified electrician. The siting and installation **MUST** comply with the current I.E.E. Regulations (BS7671 UK) or the appropriate standards in your country.

This appliance is not intended for use by persons (including children) with reduced physical, sensory or mental capabilities, or lack of experience and knowledge, unless they have been given responsible for their safety.

Children should be supervised to ensure that they do not play with the appliance.

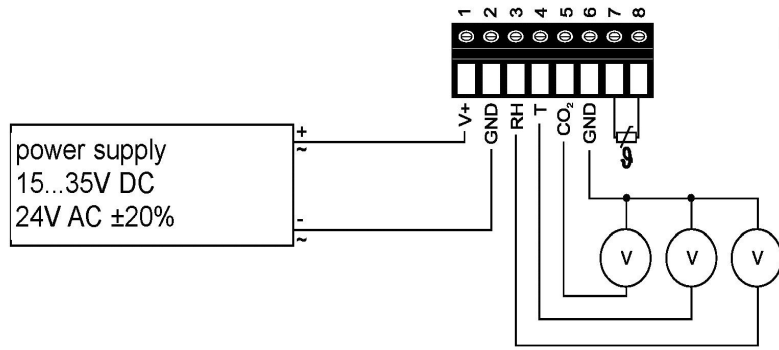


Fig.1

When using surface wiring that is not contained in conduit, the cables must be securely clipped to the mounting surface, close to the controller.

Electrical connections depend on each model of fan and the specific required mode of operation, see the fan leaflet for connection details where applicable. Fig.1. shows an example of wiring connections.

Double check the wiring making sure all connections are secure.

Ensure front cover is replaced.

For EMC compliance we recommend that the power supply and output lines to and from the sensor do not exceed 30m.



All regulations and requirements MUST be strictly followed to prevent hazards to life and property both during and after installation, and during any subsequent servicing and maintenance.

Controller Technical Specification:-

Material :-

Body:- Flame retardant polycarbonate (Cover to RAL 9003 white, Base to RAL 7035 grey)

Sensor:- Dual source infrared

Output

Range CO₂:- 0-2000ppm

Range temperature:- 0-50 °C

Operating temperature:- -5 - +55 °C

Power supply:- 24V AC±10% or 15 to 30V DC

Warm up time:- Typical 5 mins

The **Vent-Axia** Guarantee

Applicable only to products installed and used in the United Kingdom. For details of guarantee outside the United Kingdom contact your local supplier.

Vent-Axia guarantees its products for two years from date of purchase against faulty material or workmanship. In the event of any part being found to be defective, the product will be repaired, or at the Company's option replaced, without charge, provided that the product:-

- Has been installed and used in accordance with the instructions given with each unit.
- Has not been connected to an unsuitable electricity supply. (The correct electricity supply voltage is shown on the product rating label attached to the unit).
- Has not been subjected to misuse, neglect or damage.
- Has not been modified or repaired by any person not authorised by the company.

IF CLAIMING UNDER TERMS OF GUARANTEE

Please return the complete product, carriage paid to your original supplier or nearest Vent-Axia Centre, by post or personal visit. Please ensure that it is adequately packed and accompanied by a letter clearly marked "Guarantee Claim" stating the nature of the fault and providing evidence of date and source of purchase.

The guarantee is offered to you as an extra benefit, and does not affect your legal rights

Vent-Axia

Head Office: Fleming Way, Crawley, West Sussex, RH10 9YX.

EU Authorised Representative: Vent-Axia Bedrijvenweg 17 7442 CX Nijverdal Nederland authorisedrep@vent-axia.nl

UK NATIONAL CALL CENTRE, Newton Road, Crawley, West Sussex, RH10 9JA

SALES ENQUIRIES: Tel: 0844 8560590 Fax: 01293 565169

TECHNICAL SUPPORT Tel: 0844 8560594 Fax: 01293 532814

For details of the warranty and returns procedure please refer to www.vent-axia or write to Vent-Axia, Fleming Way, Crawley, RH10 9YX